



# SWEDISH DOOR

Tall Cabinet Assembly Guide:  
Everything you need to know

---



# About Us



At Swedish Door, we firmly believe that everyone deserves to enjoy a stunning and cost-effective space. Since our launch in 2016, we've been dedicated to making high-quality, bespoke-looking kitchens achievable for more people. With thousands of successful projects under our belt, we take immense pride in helping people transform their homes.



Upgrade your home with premium quality doors that won't break the bank.



Collaborate with our design partners to create a space that reflects your style.



Tailor every detail to your exact specifications with our fully customizable options.

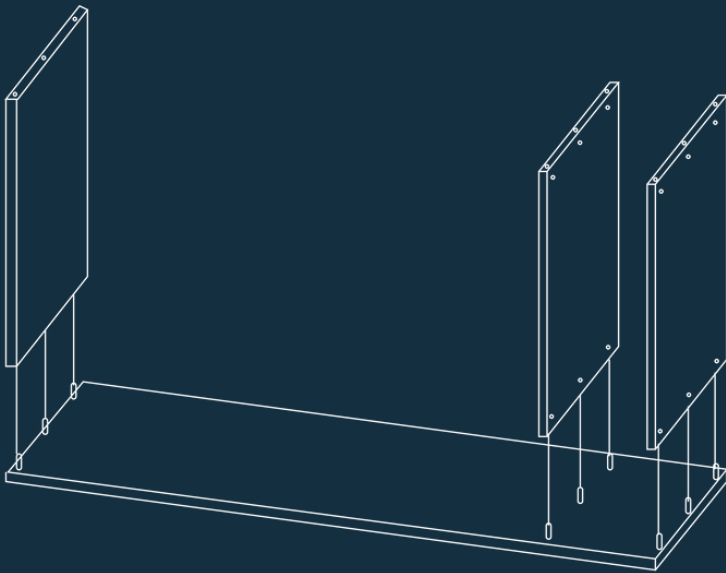


Discover a wide selection of styles, materials, and finishes to match your vision.

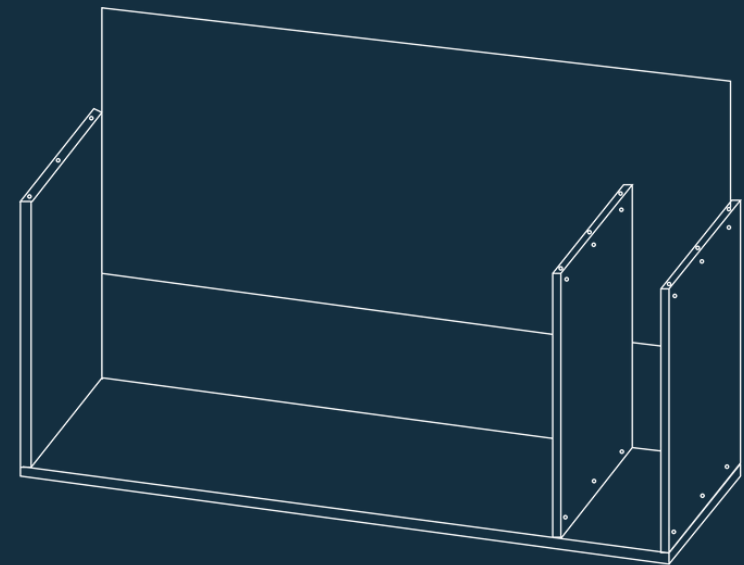
# Step 1 & 2



- 1** Place the side panel on a flat surface. Add a drop of wood glue into predrilled dowel holes and insert dowels. Gently tap dowels into place with a rubber mallet. Then attach top panel, support panels, middle panel and bottom panel.



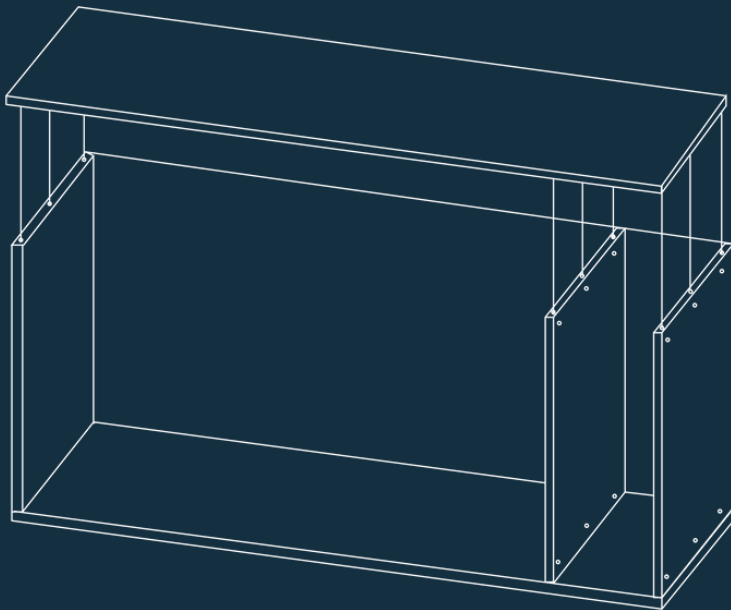
- 2** Insert the backboard into the groove.



# Final Steps



- 3** Place the dowels into the side panel and attach the other side panel.



- 4**





# SWEDISH DOOR

Tall Cabinet Assembly Guide:  
Everything you need to know

---

