



# SWEDISH DOOR

Range Hood Assembly Guide:  
Everything you need to know

---



# About Us



At Swedish Door, we firmly believe that everyone deserves to enjoy a stunning and cost-effective space. Since our launch in 2016, we've been dedicated to making high-quality, bespoke-looking kitchens achievable for more people. With thousands of successful projects under our belt, we take immense pride in helping people transform their homes.



Upgrade your home with premium quality doors that won't break the bank.



Collaborate with our design partners to create a space that reflects your style.



Tailor every detail to your exact specifications with our fully customizable options.

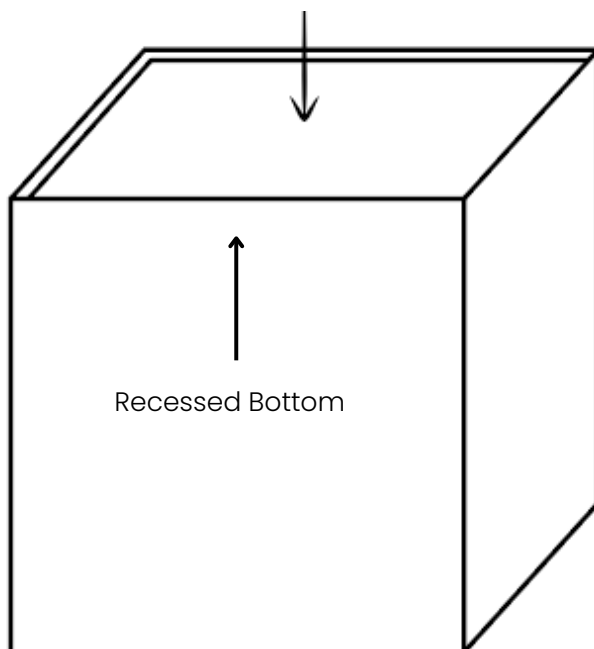


Discover a wide selection of styles, materials, and finishes to match your vision.

Range Hood Assembly Guide:  
Seamless Range Hood

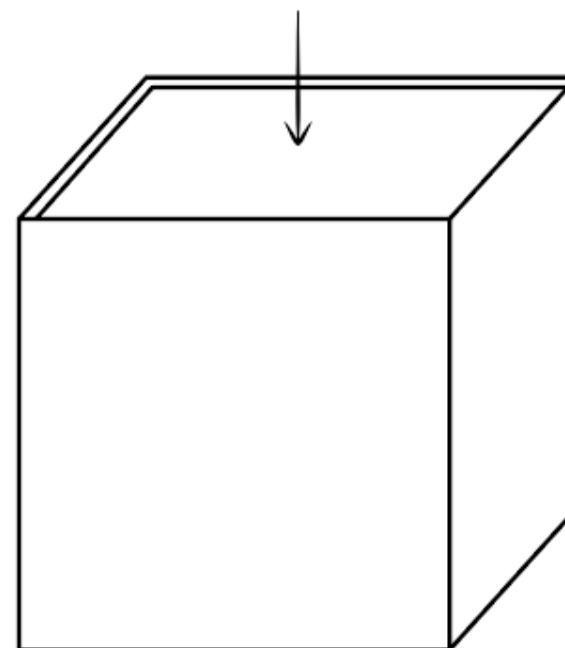
**1** **Step 1:** Position the Hood for Preparation

Carefully place the range hood upside down on a padded surface to avoid damage.



**2** **Step 2:** Make Cut-Outs for Your Specific Model

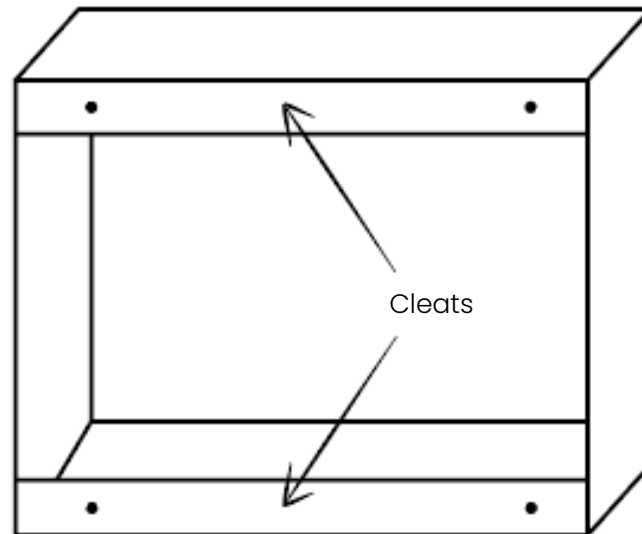
Using the provided template or measurements, complete all necessary cut-outs for electrical and ventilation based on your specific hood insert model.



Range Hood Assembly Guide:  
Seamless Range Hood

**3** **Step 3:** Secure the Hood to the Wall

Flip the hood upright and position it against the wall. Use cleats to anchor the hood into wall studs, ensuring it is level and securely mounted.



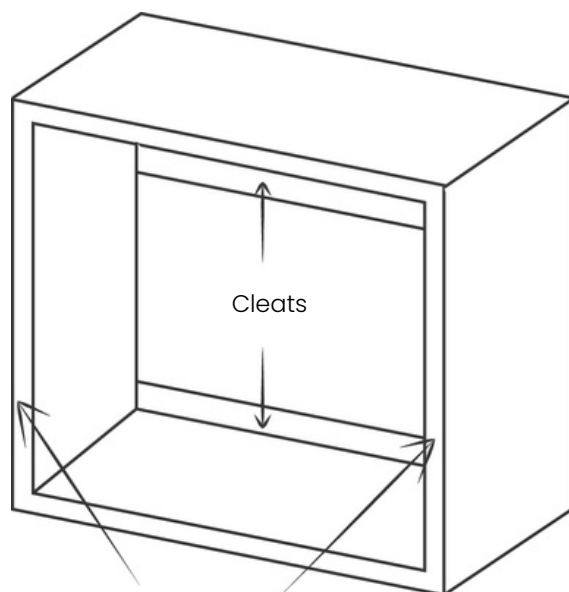
**4** **Step 4:** Install the Vent and Electrical Connections

Once all hookups for ventilation and electrical are completed by a licensed professional, insert the hood (for vent) into the opening and secure it per manufacturer instructions.

Range Hood Assembly Guide:  
Modern Shaker Range Hood

**1** **Step 1:** Prepare the Hood Box

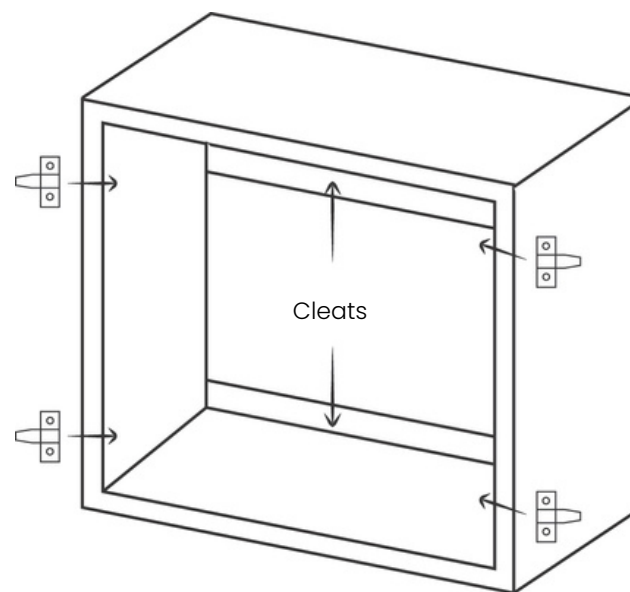
Place the empty hood box face-down on a clean, padded surface. Measure and mark the appropriate location for the vent cut-out based on your ventilation setup. Carefully cut the vent opening.



Selected door style will be installed here

**2** **Step 2:** Install Interior Clips

Attach the interior mounting clips (using 5/8" screws) to all four inside corners of the hood box. Ensure they are aligned and firmly secured.



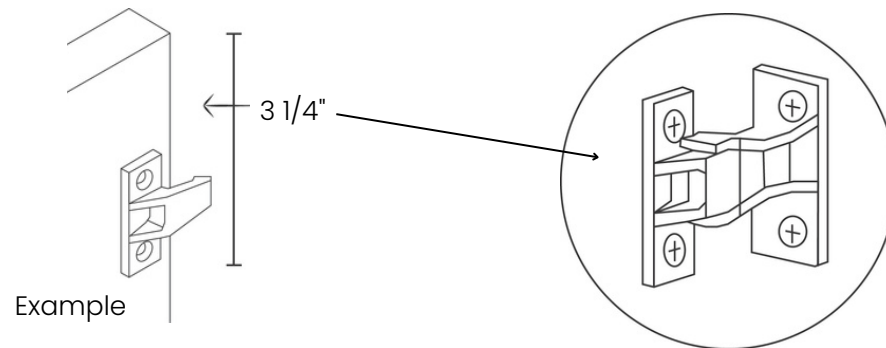
## Range Hood Assembly Guide: Modern Shaker Range Hood

### 3 Step 3: Mount the Hood Box to the Wall

Flip the hood box upright and position it on the wall. Use cleats or a French cleat system, securing them directly into wall studs for a strong and level installation.

### 4 Step 4: Prepare the Shaker Panel (Door Front)

Lay the front panel face-down on a soft, debris-free surface. Measure and mark the location of the previously installed interior clips on the hood box.

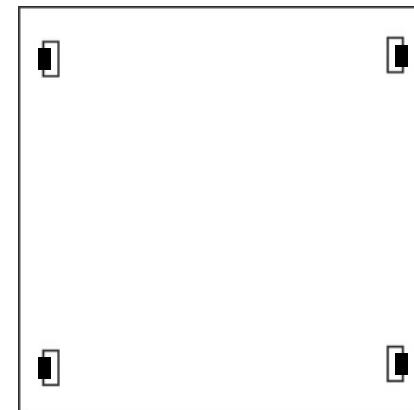


### 5 Step 5: Install Clips on the Shaker Panel

Transfer those measurements to the back of the shaker panel. Install the corresponding clips (using 5/8" screws) in alignment with those on the hood box.

### 6 Step 6: Final Hookups and Panel Attachment

Complete all ventilation and electrical connections (performed by a qualified professional). Install the hood insert or fan unit. Finally, align and clip the shaker panel into place for a seamless, modern finish.





# SWEDISH DOOR

Range Hood Assembly Guide:  
Everything you need to know

---

